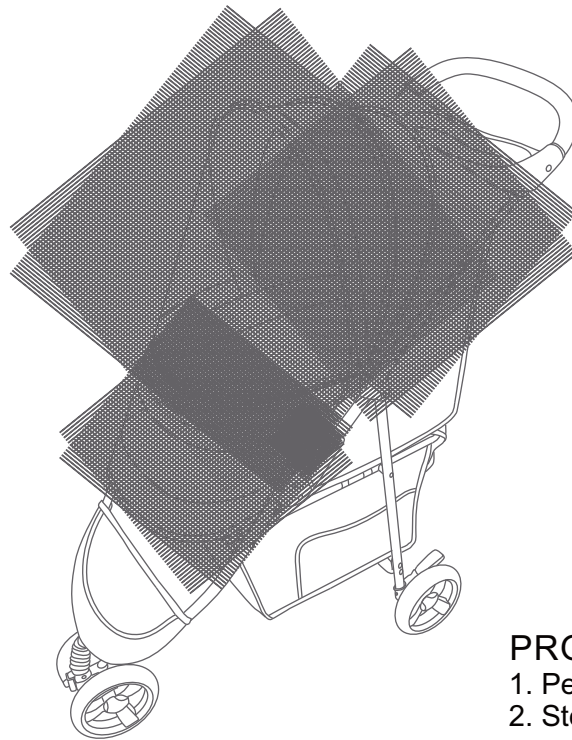




InnoPet Buggy Avenue

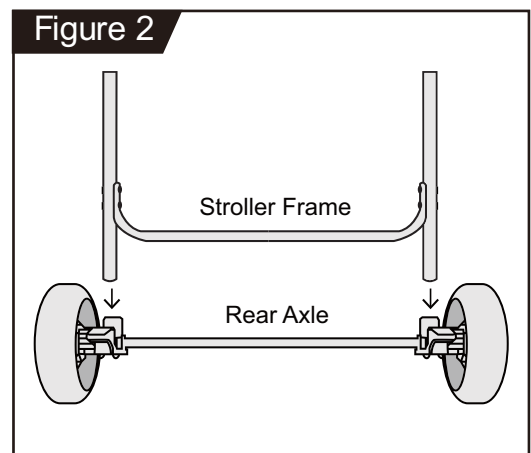
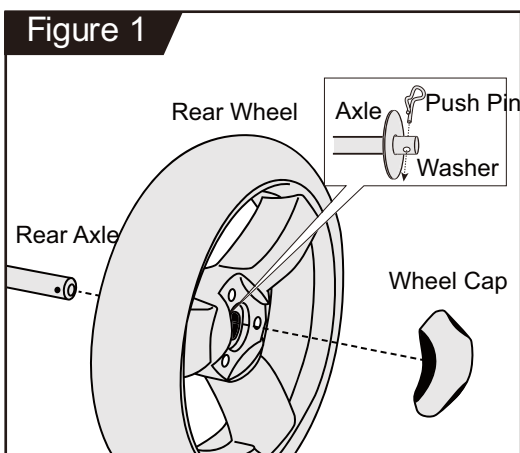
item : IPS-033



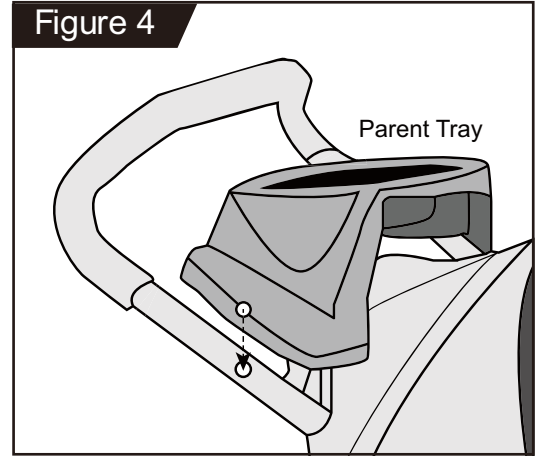
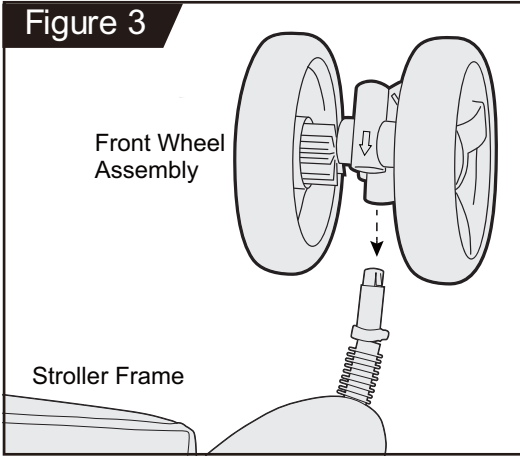
PRODUCT CAPACITIES

1. Pet compartment capacity: 25lbs
2. Storage basket capacity: 10lbs

PUTTING IT ALL TOGETHER

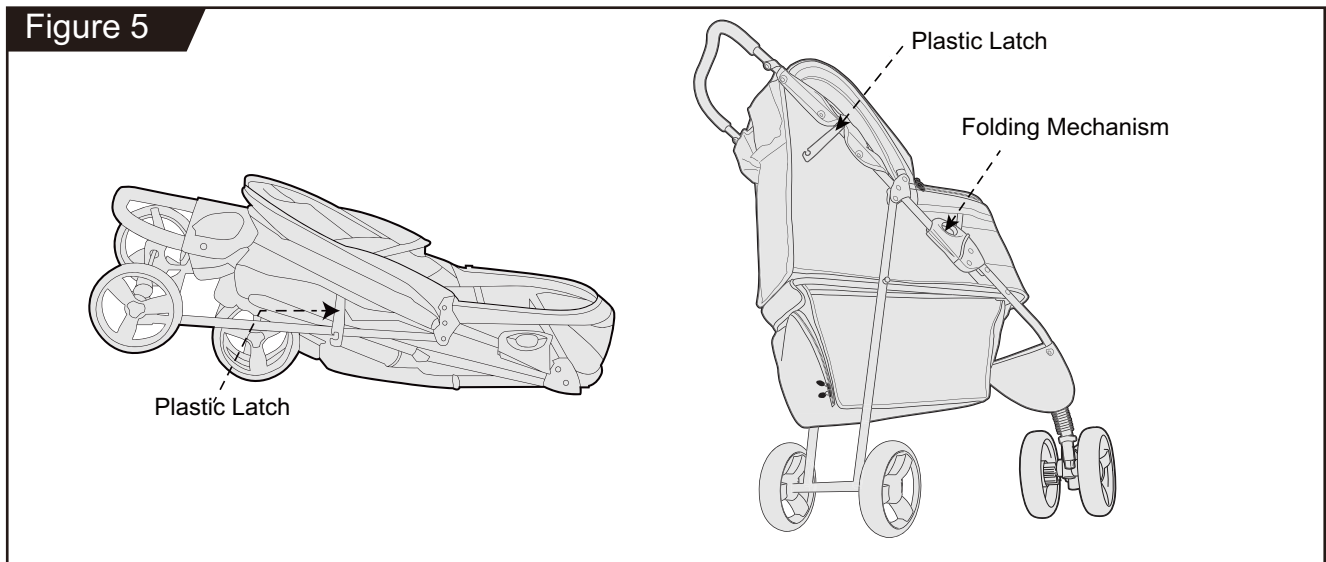


- Using the push pins and washers, assemble the wheels onto the rear axle as seen in Figure 1.
- Attach the rear wheel axel to the stroller frame as seen in Figure 2. Push firmly until both sides lock into place.



- Turn stroller upside down. Place the front wheel assembly onto the front stroller leg, with the arrow facing DOWN, as seen in Figure 3. Push firmly until it snaps into place.
- With the stroller in upright position, align the parent tray with the holes on either side of the handle. Snap each side into place by pressing firmly. See Figure 4.

USING YOUR STROLLER



OPENING

- Unlatch the plastic latch on the side of the stroller frame as seen in Figure 5.
- Pull the stroller open into the upright position until it snaps locked into place.

FOLDING

- Unzip the pet compartment and remove any items from the storage basket.
- Pull back on each of the side folding mechanisms and push the stroller down to the floor.
- Secure the plastic latch onto the silver tab to keep the stroller closed. See Above.

Proper care for your new stroller

- Clean Fabric with mild household soap and warm water.
- Clean Stroller frame with mild household soap and warm water.
- If wheel squeaks or rotates with difficulty, apply light oil. (e.g. WD-40, 3-in-1, or sewing machine oil)
- Regularly check stroller for loose or missing parts.

Imported By:

InnoPet v.o.f.

Adress: Einsteinweg 53-55, IJsselstein, The Netherlands

Zipp: 3404 LJ

E-mail: info@innopet.nl